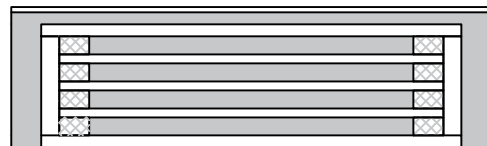


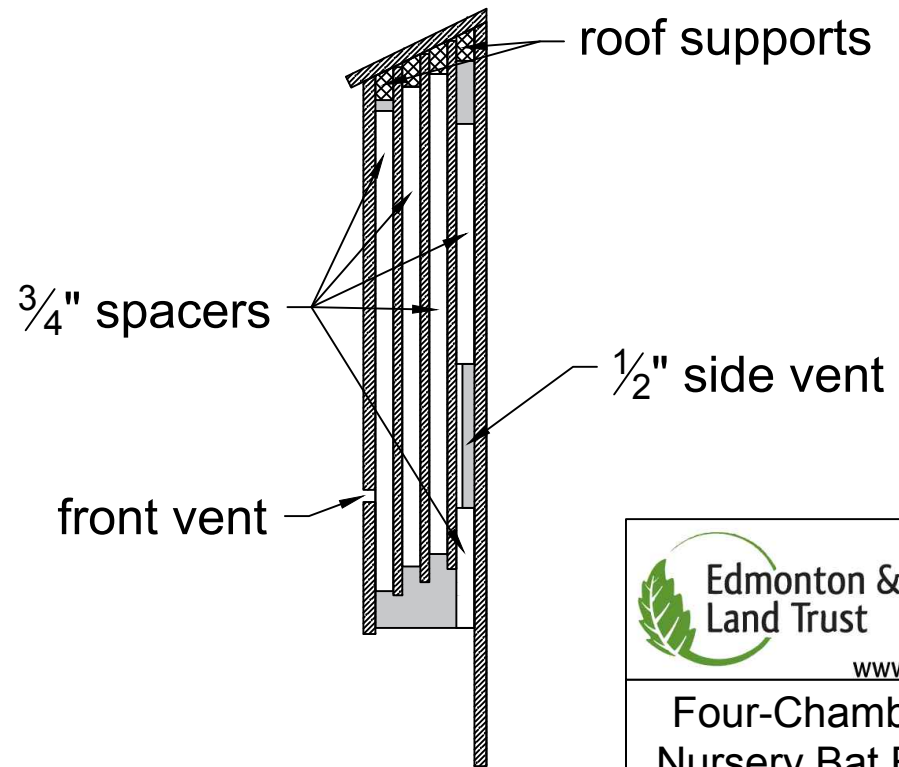
Bottom view



Materials

- 1/2 sheet (4' x 4') 1/2" AC, BC or T1-11 (outdoor grade) plywood
- 1/2 sheet (4' x 4') 3/8" AC or BC (outdoor grade) plywood
- Two pieces 1" x 6" (3/4" x 5 1/2" finished) x 8' pine or cedar
- one lb. coated deck or exterior grade screws, 1 5/8"
- 20 to 25 coated deck or exterior grade screws, 1 1/4"
- 20 to 25 exterior grade screws, 1"
- One quart (0.946 L) dark, water-based stain, exterior grade
- One quart (0.946 L) water-based primer, exterior grade
- One quart (0.946 L) flat water-based paint or stain, exterior grade
- One tube paintable latex caulk
- Black asphalt shingles or galvanized metal
- 12 to 20 roofing nails, 7/8"

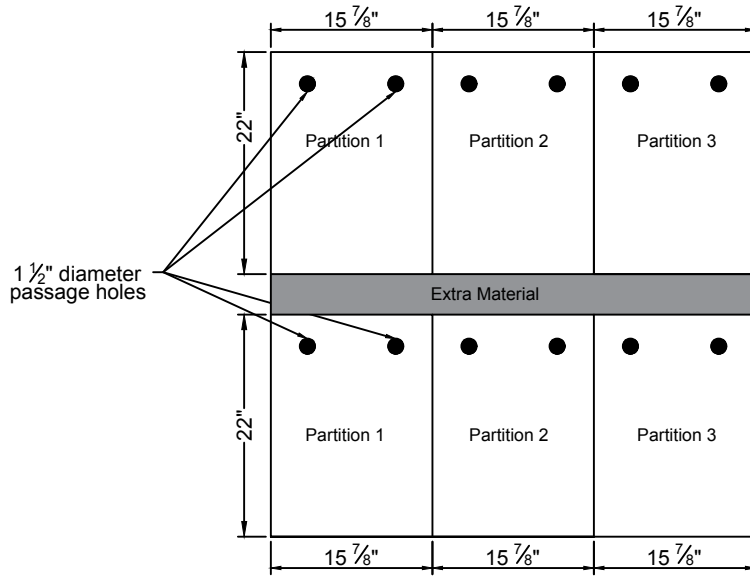
Side view



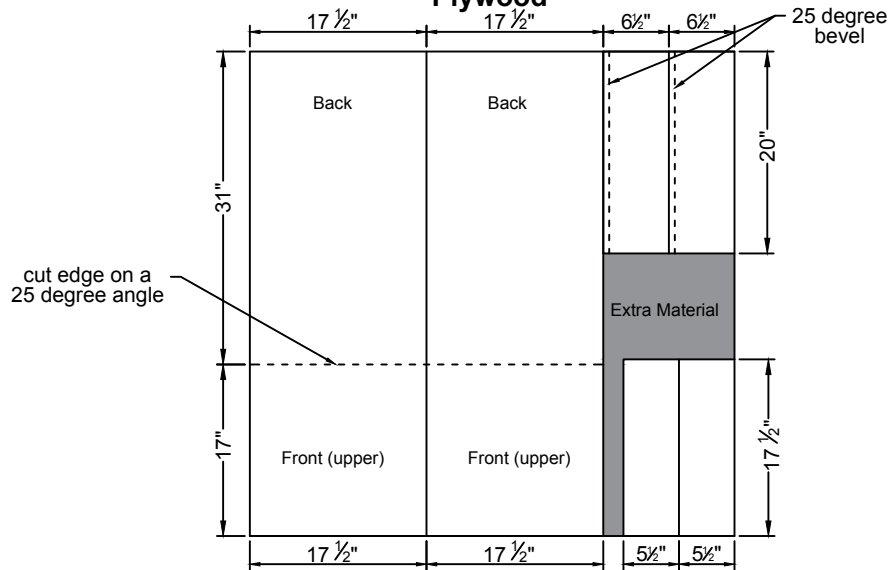
**Four-Chamber
Nursery Bat Box**

Cutting Diagram

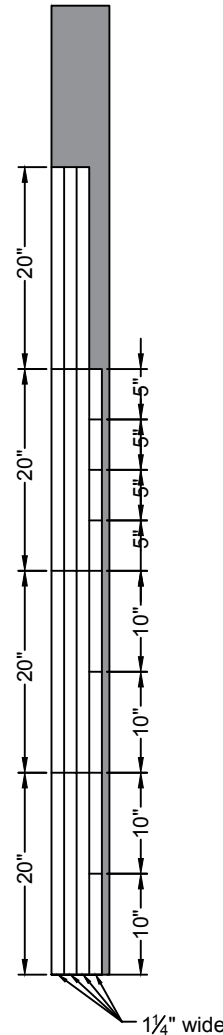
4' x 4' x 3/4" Plywood



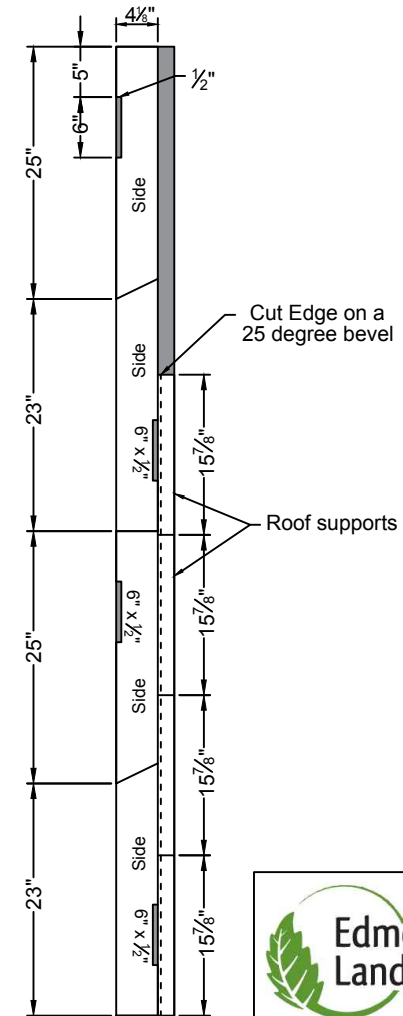
4' x 4' x 1/2" Plywood



1" x 6" x 8' board



1" x 6" x 8' board

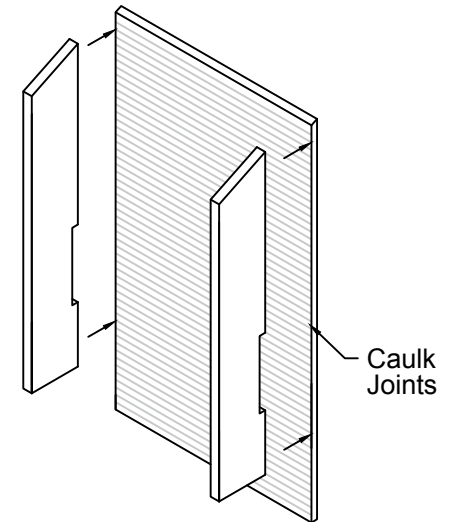
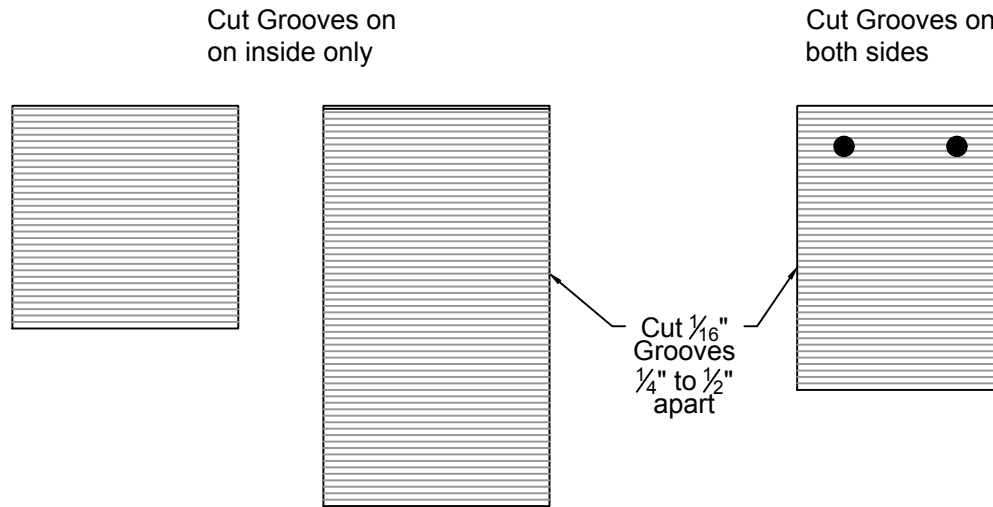


Four-Chamber Nursery Bat Box

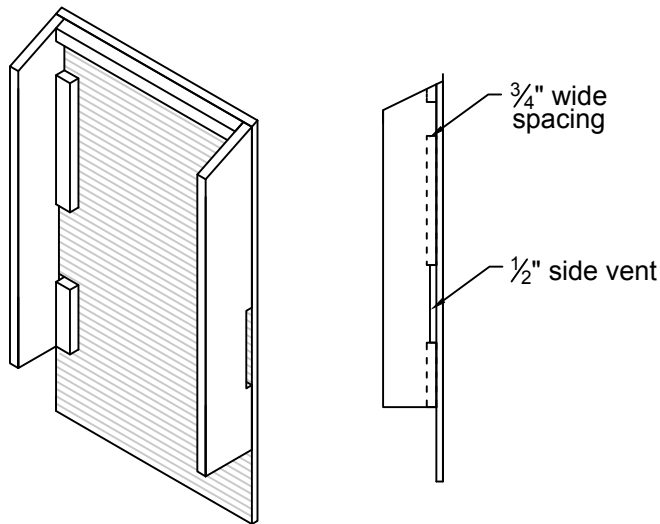
Instructions

1. **Begin by cutting the wood material as per the cutting diagram. Ensure that pieces are cut to exact measurements for good fit.**
2. **Cut $\frac{1}{16}$ "-deep horizontal grooves $\frac{1}{4}$ " to $\frac{1}{2}$ " apart on the insides of the back and front piece and both sides of the interior partitions**
3. **Apply two coats of the dark water-based stain to the interior surfaces of the grooved pieces. Paint must not be used as it will fill the cut grooves.**

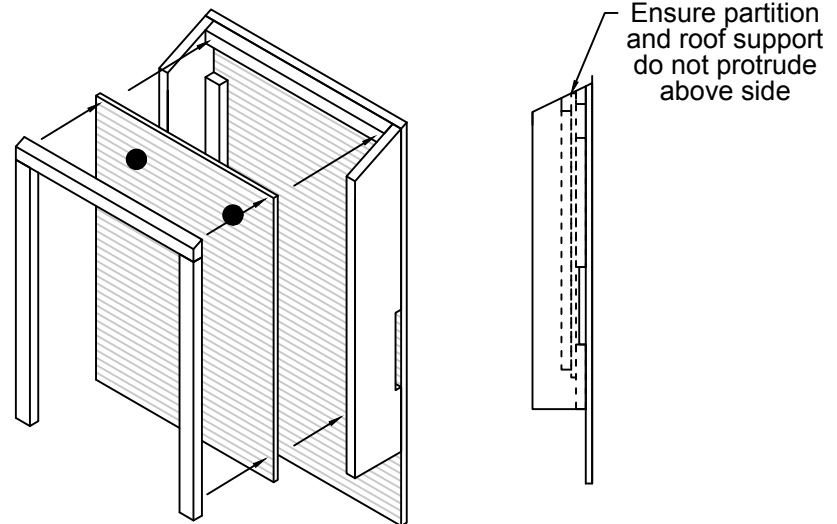
4. **Apply a bead of caulking to the back of the side pieces and attach to the back using $1 \frac{5}{8}$ " screws. Ensure that the top angles are flush for the roof piece. It is recommended that holes are pre-drilled to prevent splitting.**



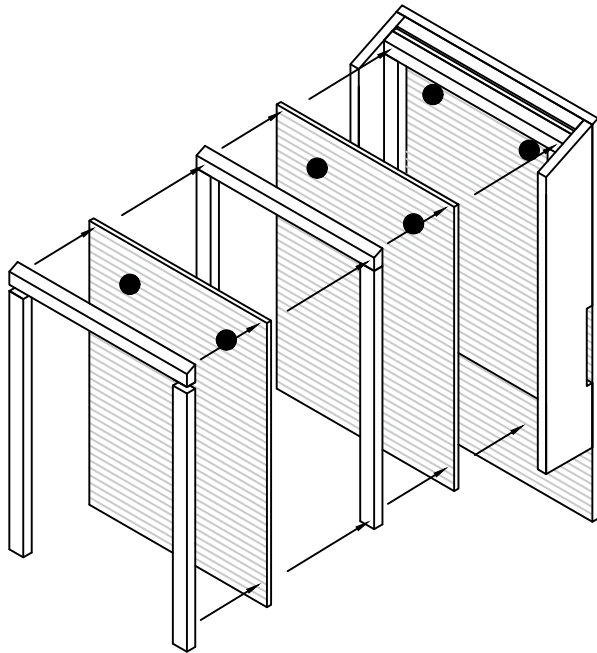
5. **Attach the 5" and 10" spacers and the first roof support to the inside of the box as per the diagram using 1" screws. Ensure that the 1/2" side vent is not obstructed by the spacers. The spacing between partitions is to be 3/4" so ensure the long edge of the spacer faces the back of the box.**



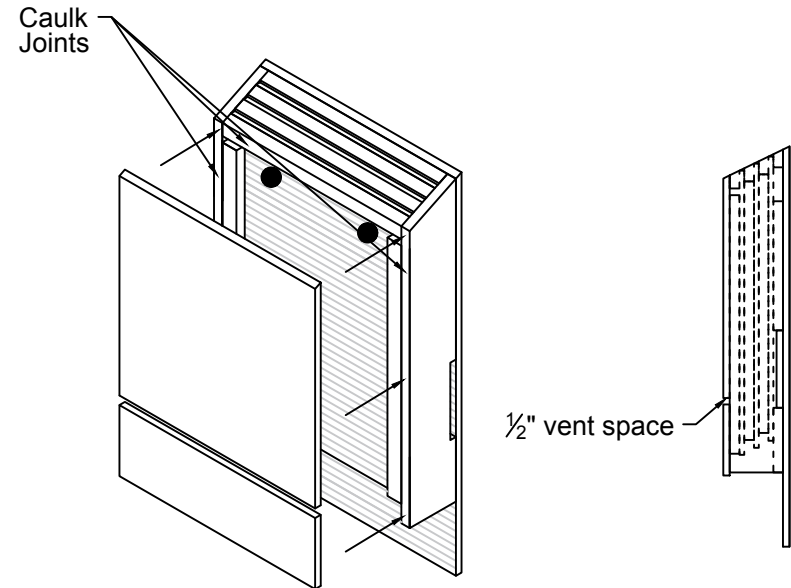
6. **Place first roosting partition onto the spacers and roof support ensuring that the top edge is flush with the sides. No portion of the roosting partition should protrude above the sides of the box. Place the next set of 20" spacers onto the partition and screw onto the first spacers using 1 5/8" screws. Attach the next roof support and screw onto the inside with 1" screws.**



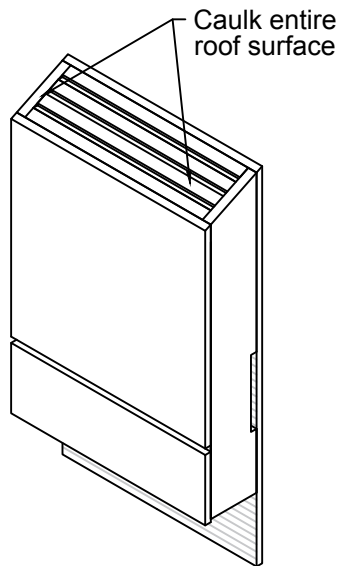
7. **Attach the remaining partitions, spacers and roof supports as per the previous step using 1 5/8" screws for the spacers and 1" screws for the roof supports. Again ensure that the roof supports and partitions do not protrude above the sides.**



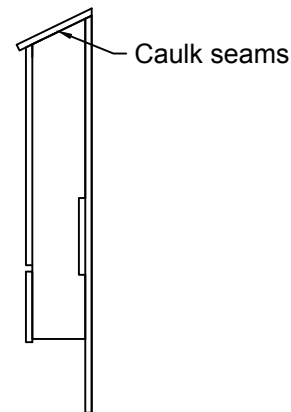
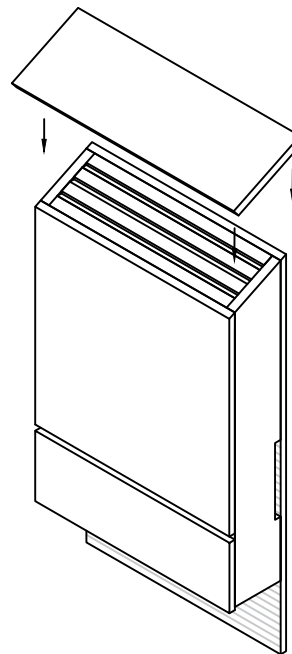
8. **Caulking the joints first, attach the front pieces to the box starting with the upper piece first. As with the roof supports ensure that the angles match with the sides to make sure that the roof will fit tightly. Attach the bottom front piece leaving a 1/2" vent space between the top and bottom pieces.**



9. Check the top surface of the box to ensure an even surface. Sand any surfaces that may be required. Caulk the entire top surface of the box.



10. Attach the roof to the bat box using 1 ¼" screws. Ensure that no screws protrude into the roosting chamber. Once attached, caulk around the seams of the roof for a waterproof seal.



11. Using a primer first, paint or stain the exterior of the box 2 to 3 times.
12. Cover the roof with either shingles or galvanized metal to complete.

